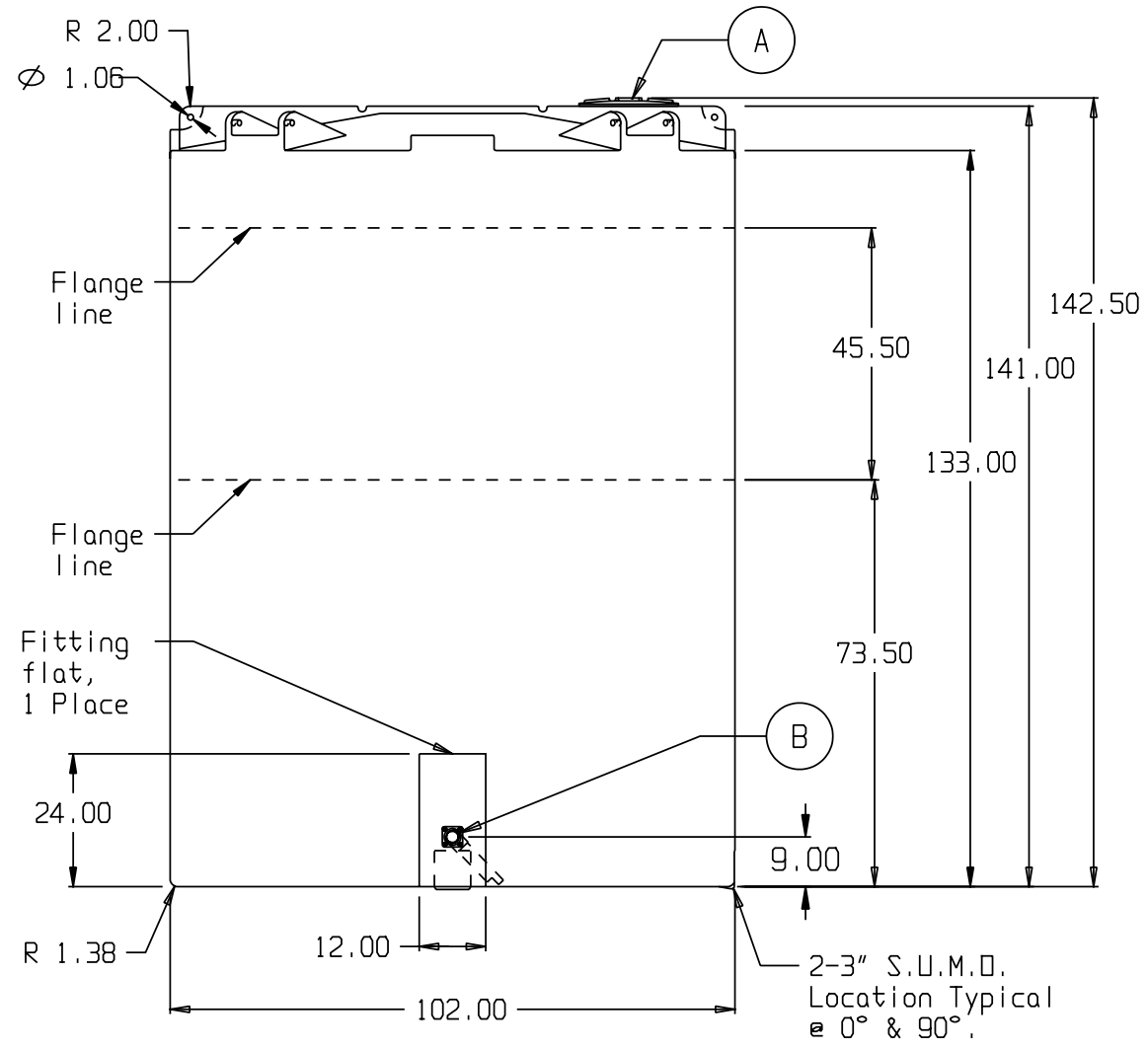
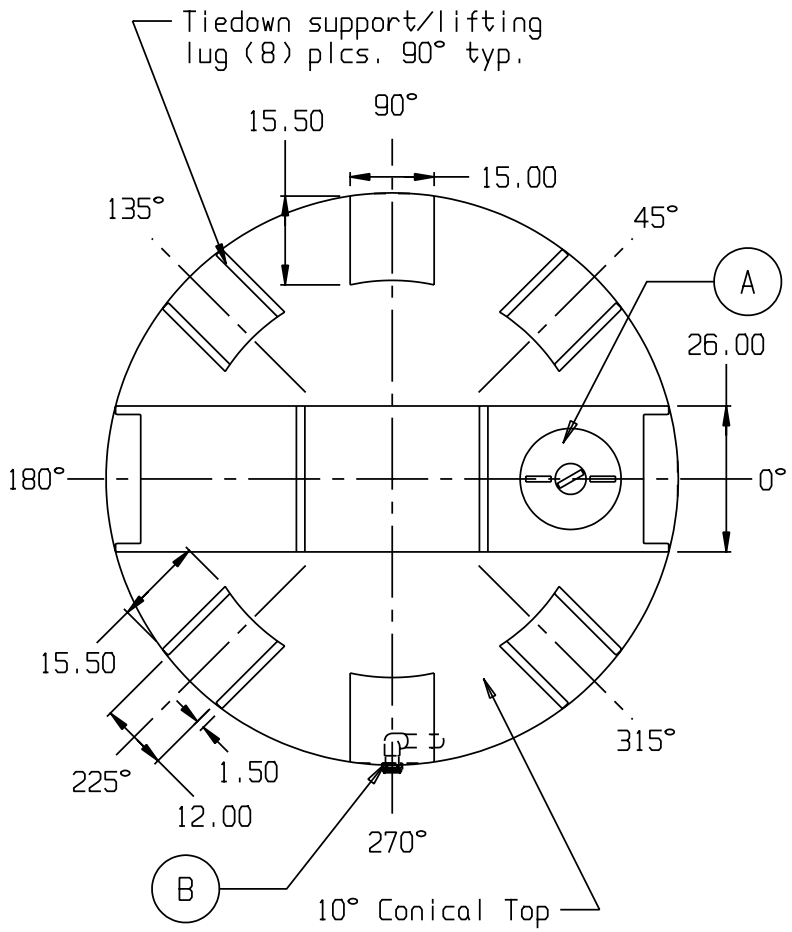


WATER

SNYDER INDUSTRIES INC.



A. 18" PE THREADED-VENTED MANWAY W/15" ACCESS [P/N 34700087]

B. 2" PP DBL FLANGED BOLTED LONG SIPHON TUBE ASSY W/EPDM GASKETS & SS BOLTS [P/N 34700841]

BASE FITTINGS TO BE LEFT INSTALLED AT TIME OF SHIPMENT PER SII PROCEDURE

(all dimensions in inches)

PART #	TANK: 7420000W94301 (L)
	HDLPE/NAT/WATER
REF#:	00000
	04/12/07

4,500 GALLON FLAT BOTTOM WATER TANK