

Subwoofer Specifications

	8W2		10W2		12W2	
Fs (free-air resonance):	36.2 Hz		20.9 Hz		27.8 Hz	
Qts (total speaker "Q"):	0.490		0.281		0.329	
Qes (electrical "Q"):	0.514		0.322		0.351	
Qms (mechanical "Q"):	10.704		2.205		5.328	
Vas (equivalent compliance):	1.52 ft ³	43.0 liters	7.58 ft ³	214.7 liters	5.83 ft ³	165.1 liters
Xmax (linear excursion one-way):	0.188 in.	4.8 mm	0.218 in.	5.5 mm	0.125 in.	3.2 mm
Efficiency (1W/1m)*:	87.8 dB		89.6 dB		91.8 dB	
Sd (effective piston surface area):	30.7 in ²	0.0198 m ²	51.8 in ²	0.0334 m ²	78.5 in ²	0.0506 m ²
Re (DC resistance):	3.65 Ω		N/A		N/A	
Znom (nominal impedance):	4 Ω		4 Ω		4 Ω	
Pt (continuous thermal power handling):	75 Watts		125 Watts		125 Watts	

*Efficiency (1W/1m) is not an accurate indicator of a subwoofer's output capability and should not be used as a comparison to other subwoofers to determine which one is "louder"!

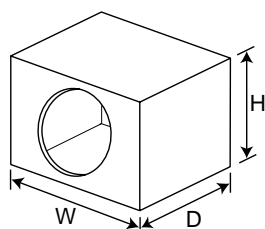
Physical Dimensions

	8W2		10W2		12W2	
Frame Diameter (A):	8.25 in.	209.55 mm				
Mounting Hole Diameter (B):	6.9375 in.	176.21 mm				
Mounting Depth (C):	3.5 in.	88.9 mm				
Overall Depth (D):	3.9375 in.	100.01 mm				
Magnet Diameter (E):	4.5 in.	114.3 mm				
Displacement:	0.025 ft ³	0.707 liters	0.045 ft ³	1.272 liters	0.06 ft ³	1.696 liters

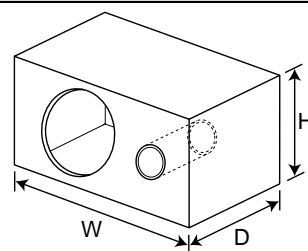
Be sure to allow 0.75 inches (19mm) for pole vent clearance on this driver.

Normal Recommended Enclosures (single driver)

Model	8W2		10W2		12W2	
	Volume (Net Int.)	width X height X depth	Volume (Net Int.)	width X height X depth	Volume (Net Int.)	width X height X depth
Sealed Enclosure	Not Recommended		Not Recommended		Not Recommended	
Ported Enclosure	1.50 ft ³ 42.5 l	15" x 10" x 24.75" 381mm x 254mm x 629mm	2.50 ft ³ 70.8 l	17" x 12" x 29" 432mm x 305mm x 737mm	3.50 ft ³ 99.1 l	20" x 14" x 28.5" 508mm x 356mm x 724mm
Port (inside dia. X length)	2.5" X 4.8" 64mm X 122mm		3" X 6.3" 76mm X 160mm		4" X 6.1" 102mm X 155mm	



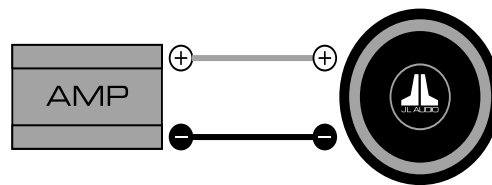
Sealed Enclosure



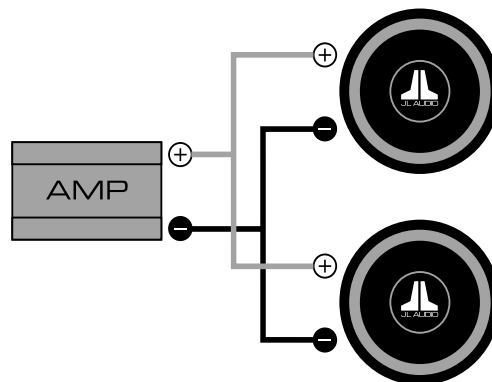
Ported Enclosure

- Enclosure dimensions listed are external dimensions which assume the use of 0.75 inch (19mm) thick material. If you are using 0.625 inch (16mm) thick material, subtract 0.25 inches (6.5mm) from each dimension. Do not use material with a thickness of less than 0.625 inches (16mm).
- Enclosure volumes listed are NET internal volumes. Driver displacement, port displacement and brace displacement must be added to obtain the final gross volume. The dimensions listed have already taken this into account.
- When using two subwoofers in a common enclosure simply double the required volumes and use two of the recommended ports (when needed). Likewise, when using three subwoofers in a common enclosure simply triple the required volume and number of ports (when needed).

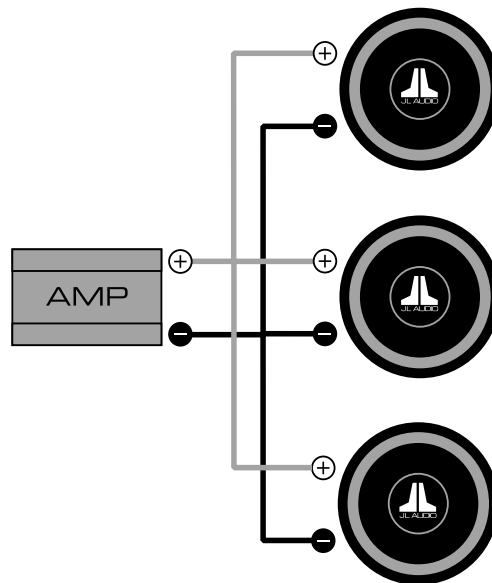
Wired directly to the amplifier:
A single 4Ω speaker will present a 4Ω load.



With speakers wired in parallel:
Two 4Ω speakers will present a 2Ω load.



With speakers wired in parallel:
Three 4Ω speakers will present a 1.3Ω load.



- Do NOT use different impedance speakers when using multiple subwoofers!
- JL Audio recommends using subwoofers as part of a bi-amplified system using high quality satellite speakers like our Evolution line of coaxial and component speakers. We do not recommend the use of passive crossover components (coils) on subwoofers. These components may adversely affect the performance of a subwoofer.
- When dealing with exceedingly long port lengths, we recommend the use of JL Audio's Flex-Port System. The Flex-Port tubing is flexible, allowing it to fit in otherwise tight locations. The Port mouths provide not only a convenient method of securing the port, but a smooth, rounded edge for the port termination as well.