

Subwoofer Specifications

	15W1-4		15W1-8	
Fs (free-air resonance):	23.0 Hz		21.3 Hz	
Qts (total speaker "Q"):	0.396		0.374	
Qes (electrical "Q"):	0.410		0.389	
Qms (mechanical "Q"):	11.765		9.789	
Vas (equivalent compliance):	11.54 ft ³	326.8 liters	12.38 ft ³	350.6 liters
Xmax (linear excursion one-way):	0.313 in.	8.0 mm	0.313 in.	8.0 mm
Efficiency (1W/1m)*:	91.7 dB		91.2 dB	
Sd (effective piston surface area):	127.6 in ²	0.0823 m ²	127.6 in ²	0.0823 m ²
Re (DC resistance):	3.46 Ω		6.89 Ω	
Znom (nominal impedance):	4 Ω		8 Ω	
Pt (continuous thermal power handling):	150 Watts		150 Watts	

*Efficiency (1W/1m) is not an accurate indicator of a subwoofer's output capability and should not be used as a comparison to other subwoofers to determine which one is "louder"!

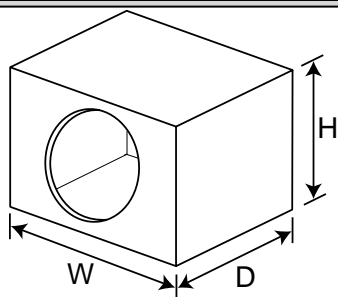
Physical Dimensions

Frame Diameter (A):	15.1875 in.	385.76 mm	
Mounting Hole Diameter (B):	13.875 in.	352.42 mm	
Mounting Depth (C):	6.375 in.	161.92 mm	
Overall Depth (D):	6.9375 in.	176.21 mm	
Magnet Diameter (E):	5.25 in.	133.35 mm	
Displacement:	0.1 ft ³	2.827 liters	

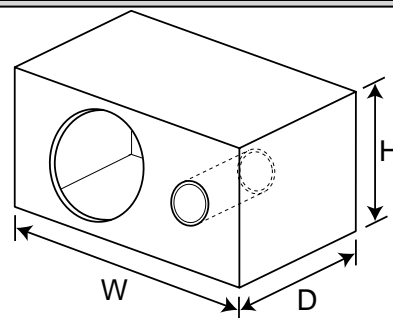
Be sure to allow 0.75 inches (19mm) for pole vent clearance on this driver.

Normal Recommended Enclosures (single driver)

Model	15W1-4		15W1-8	
	Volume (Net Int.)	width X height X depth	Volume (Net Int.)	width X height X depth
Sealed Enclosure	2.50 ft ³ 70.8 l	22" x 16" x 16.5" 559mm x 406mm x 419mm	2.25 ft ³ 63.7 l	22" x 16" x 15.25" 559mm x 406mm x 387mm
Ported Enclosure	4.50 ft ³ 127.4 l	24" x 19" x 22.75" 610mm x 483mm x 578mm	4.25 ft ³ 120.4 l	24" x 19" x 21.75" 610mm x 483mm x 552mm
Port (inside dia. X length)	6" X 13.2" 152mm X 335mm		6" X 15.7" 152mm X 399mm	



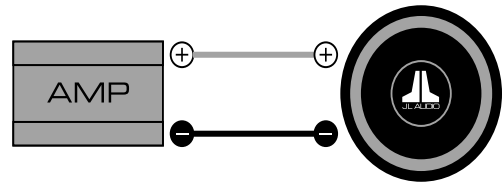
Sealed Enclosure



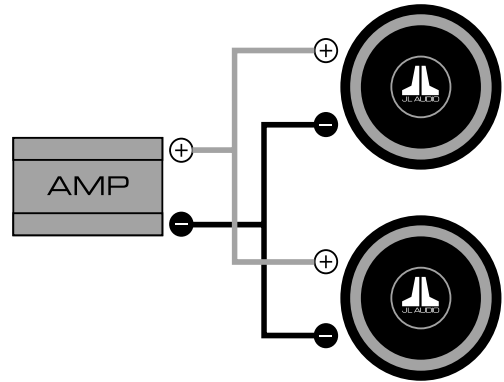
Ported Enclosure

- Enclosure dimensions listed are external dimensions which assume the use of 0.75 inch (19mm) thick material. If you are using 0.625 inch (16mm) thick material, subtract 0.25 inches (6.5mm) from each dimension. Do not use material with a thickness of less than 0.625 inches (16mm).
- Enclosure volumes listed are NET internal volumes. Driver displacement, port displacement and brace displacement must be added to obtain the final gross volume. The dimensions listed have already taken this into account.
- When using two subwoofers in a common enclosure simply double the required volumes and use two of the recommended ports (when needed). Likewise, when using three subwoofers in a common enclosure simply triple the required volume and number of ports (when needed).

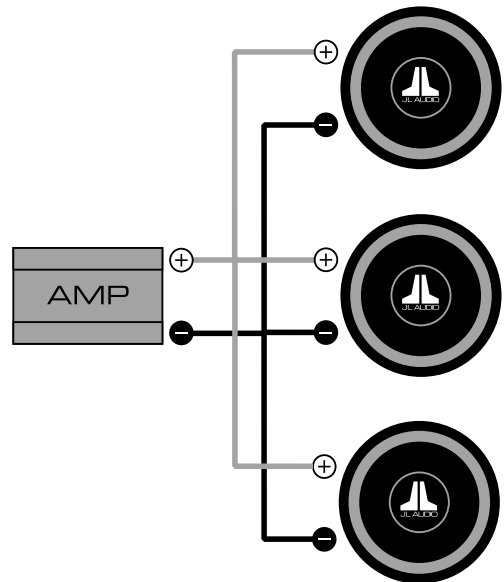
Wired directly to the amplifier:
A single 4Ω speaker will present a 4Ω load.
A single 8Ω speaker will present a 8Ω load.



With speakers wired in parallel:
Two 4Ω speakers will present a 2Ω load.
Two 8Ω speakers will present a 4Ω load.



With speakers wired in parallel:
Three 4Ω speakers will present a 1.3Ω load.
Three 8Ω speakers will present a 2.7Ω load.



- Do NOT use different impedance speakers when using multiple subwoofers!
- JL Audio recommends using subwoofers as part of a bi-amplified system using high quality satellite speakers like our Evolution line of coaxial and component speakers. We do not recommend the use of passive crossover components (coils) on subwoofers. These components may adversely affect the performance of a subwoofer.
- When dealing with exceedingly long port lengths, we recommend the use of JL Audio's Flex-Port System. The Flex-Port tubing is flexible, allowing it to fit in otherwise tight locations. The Port mouths provide not only a convenient method of securing the port, but a smooth, rounded edge for the port termination as well.