

Direct Drive Pumps



Stainless Steel and Bronze Pumps

Our premium stainless steel and bronze pumps come in five models and are a favorite in the industry. These trouble-free pumps can be used in fresh, salt, chlorinated or brominated water and can even be used in hot water up to 110 °F. These versatile pumps can be used submerged or in open air below water level for ponds, water gardens, medium to large fountains, water displays, waterfalls, streams and for aeration.



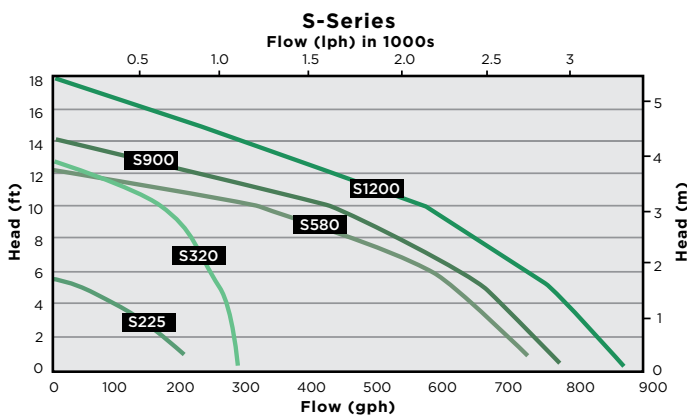
S900T



S225T

- Made in the U.S.A.
- Quiet operation
- Mounting stand option

S-SERIES	Item Number	Amps	Watts	Cord (ft)	Submerged Use	Inline Use	Discharge MNPT	Intake MNPT	Gallons Per Hour (GPH) at height				Shut Off (ft)
									1'	5'	10'	15'	
S225T-6	517000	0.7	60	6'	✓	✓	1/4"	1/2"	200	81	-	-	5.7
S225T-20	517001	0.7	60	20'	✓	✓	1/4"	1/2"	200	81	-	-	5.7
S320T-6	517002	1.5	89	6'	✓	✓	1/4"	1/2"	290	255	163	-	13.5
S320T-20	517003	1.5	89	20'	✓	✓	1/4"	1/2"	290	255	163	-	13.5
S320T-50	517004	1.5	89	50'	✓	✓	1/4"	1/2"	290	255	163	-	13.5
S580T-6	517005	2.2	203	6'	✓	✓	1/2"	1/2"	755	590	320	-	12
S580T-20	517006	2.2	203	20'	✓	✓	1/2"	3/4"	755	590	320	-	12
S580T-50	517007	2.2	203	50'	✓	✓	1/2"	3/4"	755	590	320	-	12
S900T-6	517008	2.5	234	6'	✓	✓	1/2"	3/4"	810	667	425	-	14
S900T-20	517009	2.5	234	20'	✓	✓	1/2"	3/4"	810	667	425	-	14
S900T-50	517010	2.5	234	50'	✓	✓	1/2"	3/4"	810	667	425	-	14
S1200T-6	517011	3.4	255	6'	✓	✓	1/2"	3/4"	868	745	580	240	18
S1200T-20	517012	3.4	255	20'	✓	✓	1/2"	3/4"	868	745	580	240	18
S1200T-50	517013	3.4	255	50'	✓	✓	1/2"	3/4"	868	745	580	240	18



LittleGIANT®
Outdoor Living

HOTLINE 888.956.0000

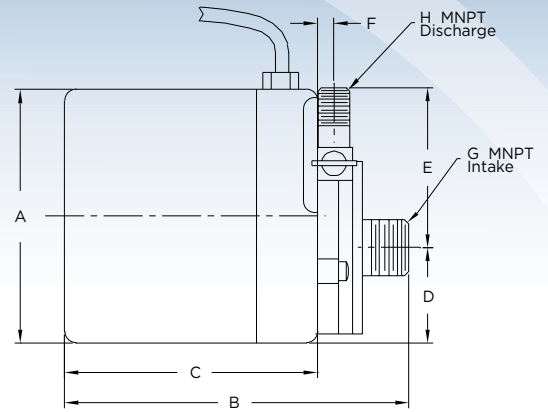
lg-outdoor.com



Direct Drive Pumps

Stainless Steel and Bronze Pumps

DIMENSIONS (INCHES)	A	B	C	D	E	F	G MNPT	H MNPT
S225T	4.0	4.5	3.0	1.5	2	.3	½"	¼"
S320T	4.0	4.5	3.0	1.4	2.36	.3	½"	¼"
S580T	4.5	6.5	4.7	2.25	2.75	.5	¾"	½"
S900T	4.5	6.5	4.7	2.25	2.75	.5	¾"	½"
S1200T	4.5	6.5	4.7	2.25	2.75	.5	¾"	½"



STAINLESS STEEL & BRONZE PUMP ACCESSORIES

	Item Number	Amount
SPB1 - POSITIONING BRACKET FITS S580, S900, S1200	517500	1 per pack
CFS100 - PREFILTER	517505	1 each

