

Outdoor Living Water Features & Pond Products

Small Submersible

Franklin Electric introduces five direct-drive pumps to our statuary fountain pump line. Our Little Giant pumps are designed for continuous circulation of ponds or statuary fountains. Made with some of the industry's most durable materials, our pumps reach peak performance when completely submerged.

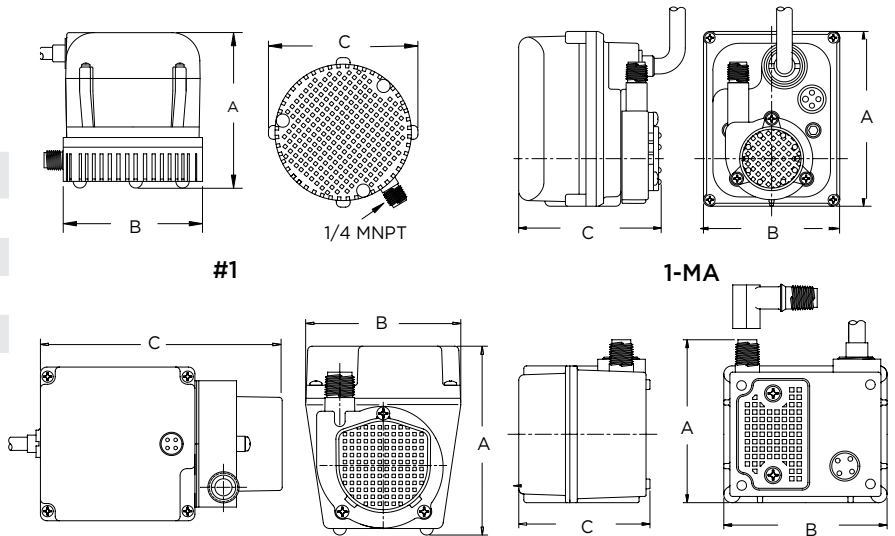
- Oil filled for cooling
- Pre-screen included for protection
- Assorted options for every feature



LG-SMALL SUBS	Item Number	Amps	Watts	Cord (ft)	Submerged Use	Discharge	Gallons Per Hour (GPH) at height					Shut Off (ft)
							1'	3'	5'	10'	15'	
#1	501004	1.1	70	6'	✓	1/4"	205	168	120	-	-	7.4
1-MA	521204	1.1	70	6'	✓	1/4"	170	140	100	-	-	7
2EN-38N-WG	502375	1.7	100	15'	✓	1/4"	300	255	205	-	-	11.8
3E-12N	503375	3.2	220	15'	✓	1/2"	500	435	337	210	65	17.3
P-AAA	523375	0.5	30	15'	✓	1/4"	120	70	-	-	-	4.6

DIMENSIONS (INCHES)

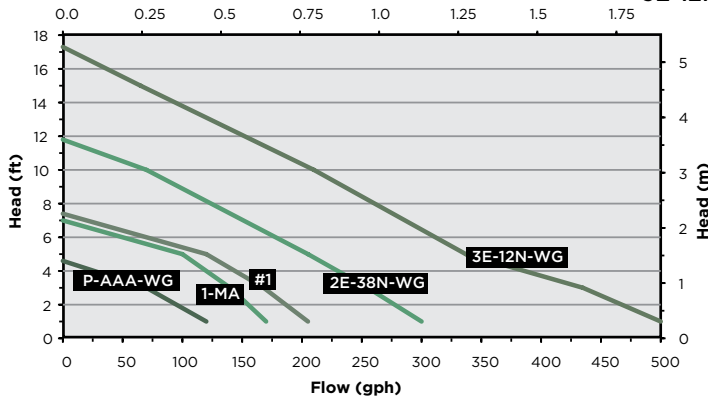
	A	B	C
#1	4.30	3.70	4.10
1-MA	4.30	3.30	3.50
2EN-38N-WG	4.64	3.50	5.55
3E-12N	5.50	4.50	7.00
P-AAA	3.90	3.90	3.00



Small Submersibles
Flow (lph) In 1000s

3E-12N, 2E-38N-WG

P-AAA



Little GIANT®

Outdoor Living

HOTLINE 888.956.0000

lg-outdoor.com

≤ 400 Gal
≤ 800 Gal
≤ 1200 Gal
≤ 2400 Gal
> 2500 Gal
Professional
Decor
Maintenance