

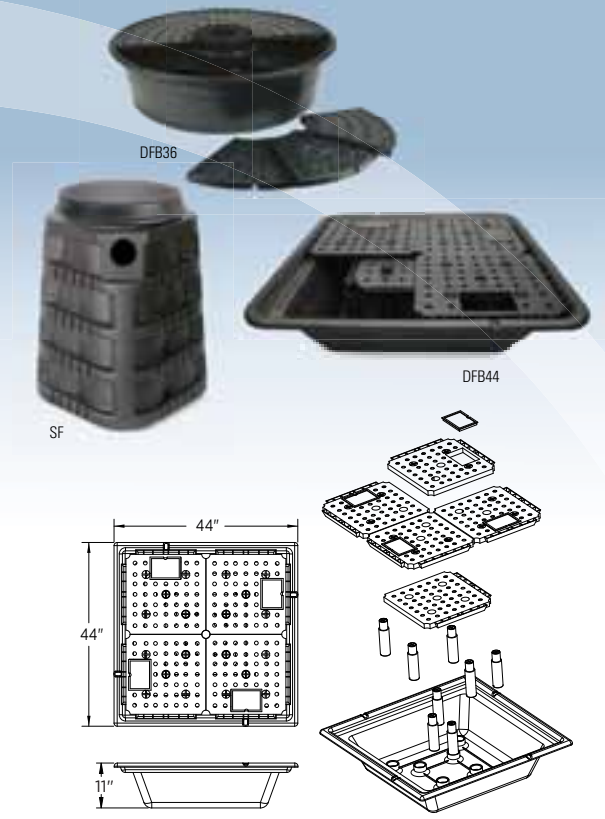
Outdoor Living Water Features & Pond Products

Disappearing Water Features

Basins & Vaults

Little Giant heavy duty disappearing water feature basins are perfect for in-ground installations. Our basins are ideal for smaller applications when you want the soothing sounds of water but are limited on space. Basins sit flush with the ground and the sectioned access plates make maintenance a breeze. Cover your basin with a wide variety of rocks or pottery (not included) for a disappearing water effect.

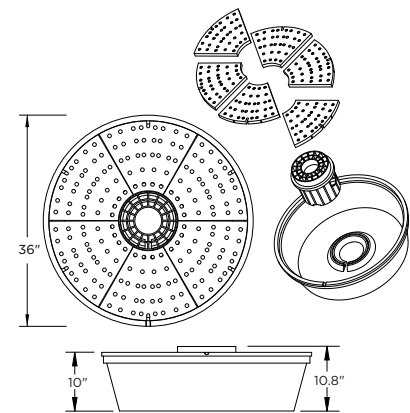
BASINS & VAULTS	Item Number	Dimensions	Advantages
DFB36	566517	36"W x 36"L x 10.8"H	Supports up to 2000 lbs
DFB36PP	566559	-	Pallet includes (5) 36" basins
DFB44	566558	44"W x 44"L x 11"H	Supports up to 3000 lbs
DFB44PP	566560	-	Pallet includes (5) 44" basins
SF	566410	19"W x 19"L x 22"H	Pump vault for easy pump access



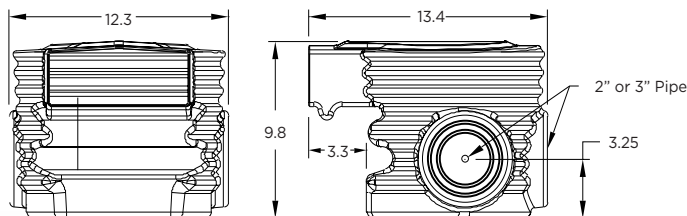
DFB44

Waterfall weirs allow you to create a smooth beginning to any stream or waterfall. They install easily within or outside the liner. SPW comes with filter media and all models come with plumbing attachments.

WATERFALL WEIRS	Item Number	Dimensions	Max Flow Rate	Weir Width
SPW10	517202	11" x 11-1/2" x 10-1/2"	1200 gph	10"
SPW18	517203	19" x 11" x 10-1/2"	2400 gph	18"
WFW	566239	9.5"H X 13"D	6000 gph	7.75"



DFB36



Little GIANT®
Outdoor Living

HOTLINE 888.956.0000

lg-outdoor.com

≤ 400 Gal
≤ 800 Gal
≤ 1200 Gal
≤ 2400 Gal
> 2500 Gal
Professional
Decor
Maintenance