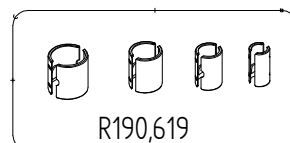
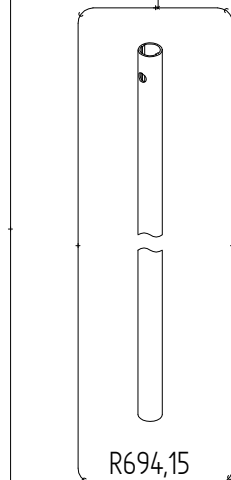
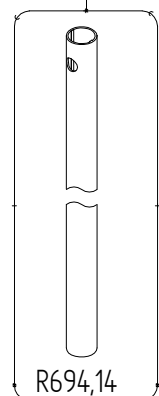
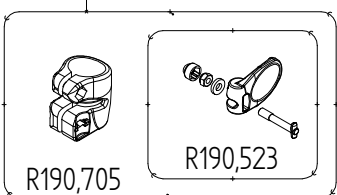
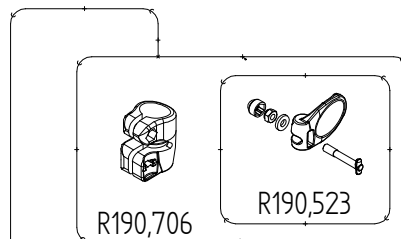
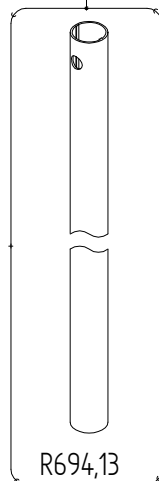
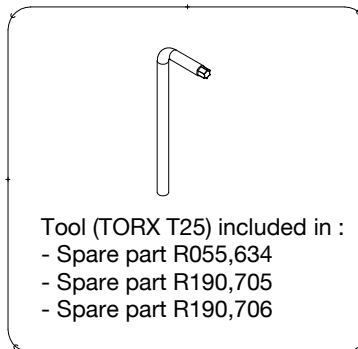
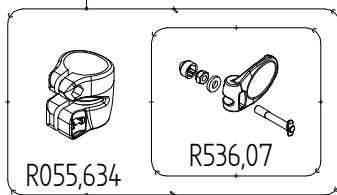
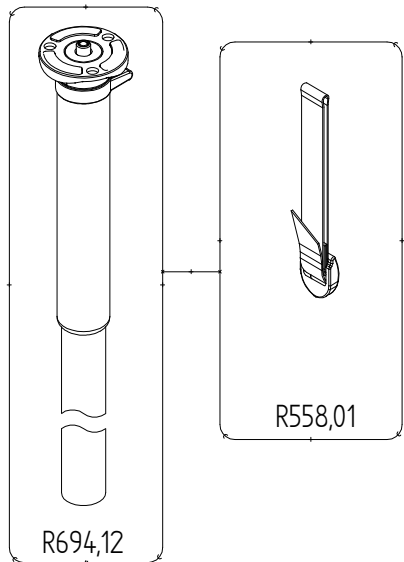


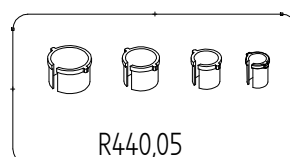
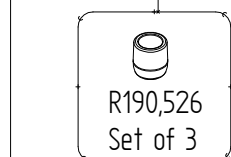


ART. 694CX

For serial number
from XXXXXX



TO BE MOUNTED
ON TUBES



TO BE MOUNTED
ON CLAMPING-COLLARS

