

## Introduction

### ► Feature

- Line pull: 4,082 kg / 9,000 lb wire rope first layer
- Wire rope: 8.3 mm × 30.5 m (21/64" × 100') galvanized aircraft A7 × 19
- Brake: Patented cone brake holds full load
- Clutch: Turn the T-handle for rapid wire rope payout
- Control: Handheld pendant switch to power the winch

### ► Unpacking

- Winch assembly..... 1 pc
- **Control box**..... 1 pc
- Remote control..... 1 pc
- Wire rope with hook..... 1 pc
- Roller fairlead..... 1 pc
- 1.8 m ( 6' ) 2 gauge battery lead..... 1 pc

### ► Read this manual carefully

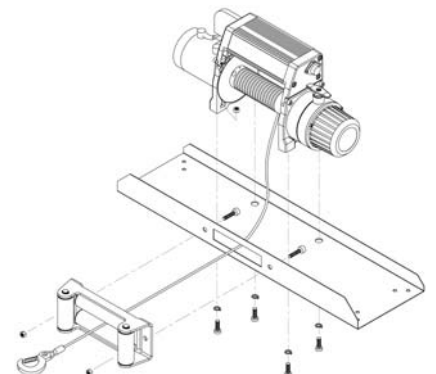
You should carefully read and understand this manual before operating it. Careless winch operation may result in personal injury hazards or property damage.

## Installation

Before using the winch, make sure all electrical components have no corrosion or damaged; the environment should be clear and dry.

### ► Winch and roller fairlead mountings

- It is very important that the winch will be mounted on a flat and hard surface of mounting channel in order to make sure the motor, drum and gearbox housing are aligned correctly.
- Roller fairlead does not mount to the winch directly.
- The wire rope shall be wound in an under-wound

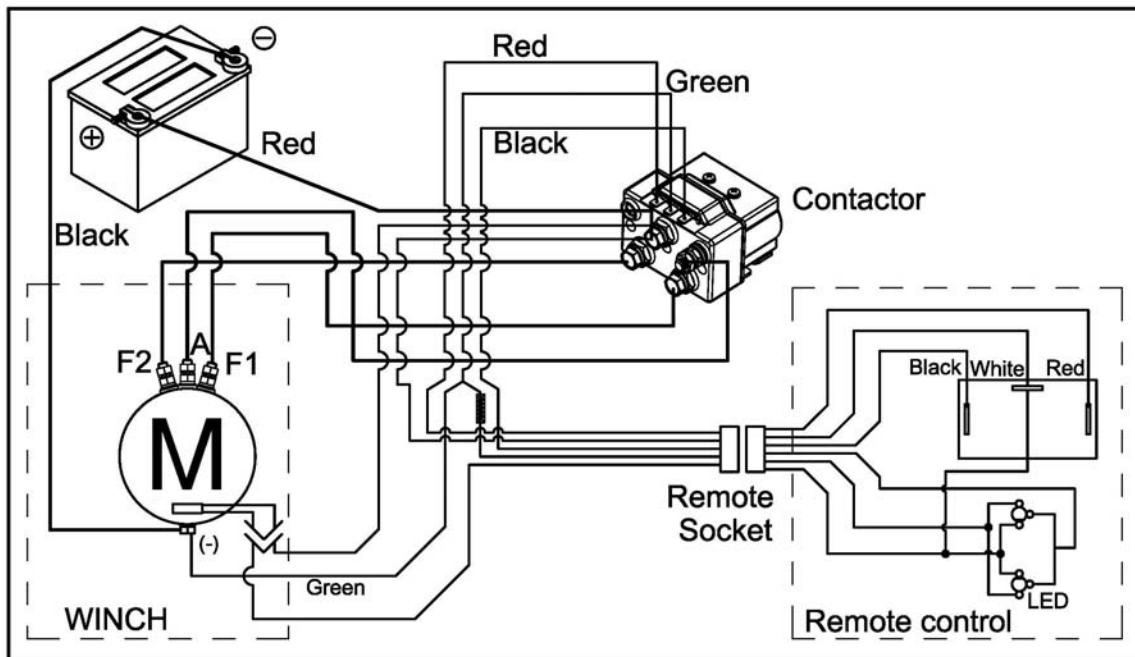


orientation only.

- Four (4) M10 x 1.50 pitch 8.8 grade high tensile steel bolts must be used in order to sustain the loads imposed on the winch mounting.
- Two (2) M12 x 1.75 pitch 8.8 grade high tensile steel bolts must be used for fastening the roller fairlead into the mounting channel.

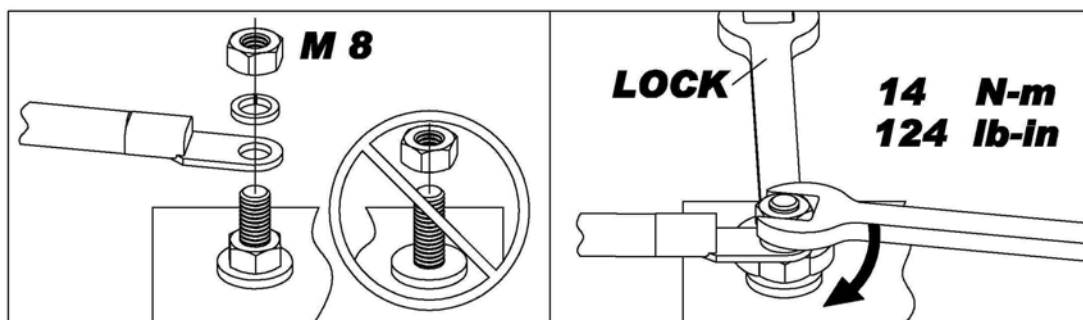
## ► Wiring Diagram

Attach the black lead firmly to the negative (–) battery terminal and red lead to the positive (+) battery terminal. The voltage drop for the winch motor must not exceed 10% of the nominal voltage of 12/24V DC.



## ► Nut fastening for motor & contactor

1. Holding the lower nut on the stub and fastening the upper nut clockwise.
2. The torque setting for nut is 14 N-m/124 lb-in.



## Warning

- The winch is not intended to be used in any manner for the movement or lifting of personnel.
- The rated line pull shown is based on the first layer of rope on the drum.
- The rope winding on the drum shall remain 5 wraps from the drum.

## Parts List

Item No.	Description	Part No.	Qty
1	Motor 12V	881294	1
	Motor 24V	881295	
2	Bolt, washer kit	880051	4
3	Motor support rack	880004	1
4	Motor coupling	880005	1
5	Drum bushing	880006	2
6	Drum kit	881101	1
7	Gearbox support rack	880008	1
8	Grounding lead	880009	1
9	Wire rope w/hook	880010	1
10	1 <sup>st</sup> shaft	880011	1
11	3 <sup>rd</sup> ring gear kit	880012	1
12	3 <sup>rd</sup> stage carrier	880013	1
13	3 <sup>rd</sup> bushing	880014	1
14	2 <sup>nd</sup> stage carrier	880015	1
15	1 <sup>st</sup> stage carrier	880016	1
16	1 <sup>st</sup> & 2nd ring gear	880017	1
17	1 <sup>st</sup> pinion kit	880018	1
18	Clutch kit	881303	1
19	Gear box kit	880020	1
20	Cone brake disc kit	880021	1
21	Brake cover kit	880022	1
22	Roller fairlead	880023	1
23	Mounting hardware	880125	1
24	Remote control	880126	1
25	Handsaver strap	880026	1
26	Control box 12V	881160	1
	Control box 24V	881161	
26-1	Remote socket kit 12V	881373	1
	Remote socket kit 24V	881374	
26-2	Control pack 12V	881402	1
	Control pack 24V	881403	
27	Brake clutch base	881100	1

# Winch Assembly

